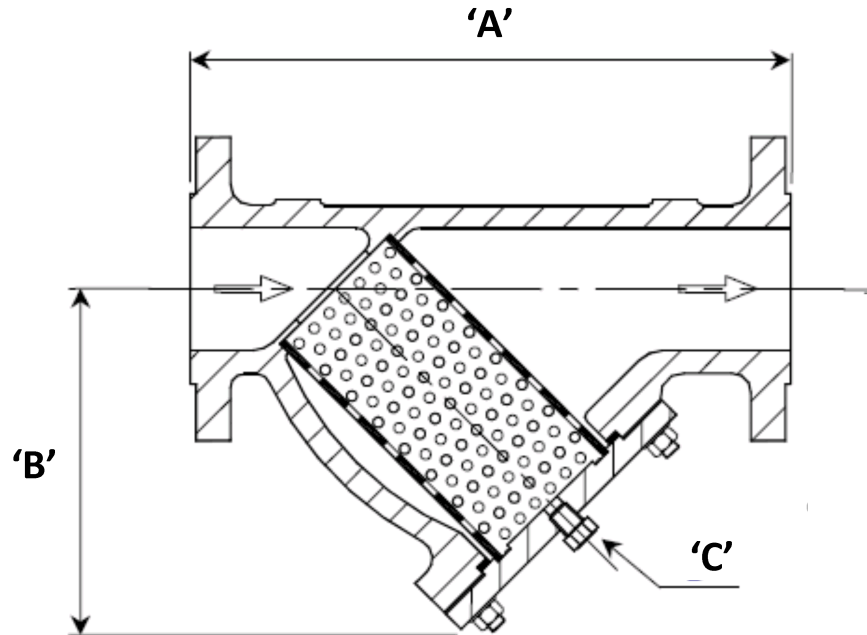


ANSI 150# Y-Type Strainer



Operating pressures and temperatures

Carbon steel
 Steam: 150 PSI at 358 Deg F
 WOG: 285 PSI at 100 Deg F
 Stainless steel
 Steam: 150 PSI @ 358 Deg F
 WOG: 275 PSI at 100 deg F

Standard Screens

2" – 3" 3/64" perf / 0.045"
 4" – 12" 1/8" perf / 0.125"

Features

The YF-600# ANSI Flanged strainers are available in carbon steel and stainless steel. They provide economical protection for Water, Oil or Gas service for up to 275 psig for stainless and 285 psig for carbon steel. A machined, tapered seat ensures a perfect fit for the removable, stainless steel screen. May be installed in vertical or horizontal pipelines with blow-off connection at the lower end of the screen.

Construction

Carbon steel - Body and cover, ASTM SPEC A216, Grade WCB
 Stainless steel – Body and cover ASTM SPEC A351 Grade CF8M
 Screen – Stainless steel

Size	A	B	C	Approx Weight Lbs
2"	8 5/8"	4 7/8"	1/2" NPT	30
2 1/2"	10 1/4"	7 1/2"	3/4" NPT	44
3"	11 5/8"	7 3/4"	1" NPT	60
4"	14 3/8"	9 1/8"	1 1/2" NPT	96
6"	18 5/8"	13 3/8"	2" NPT	174
8"	24 3/8"	14 5/8"	2 "NPT	264
10"	26"	17 1/4"	2" NPT	414
12"	30 3/8"	21	2" NPT	615