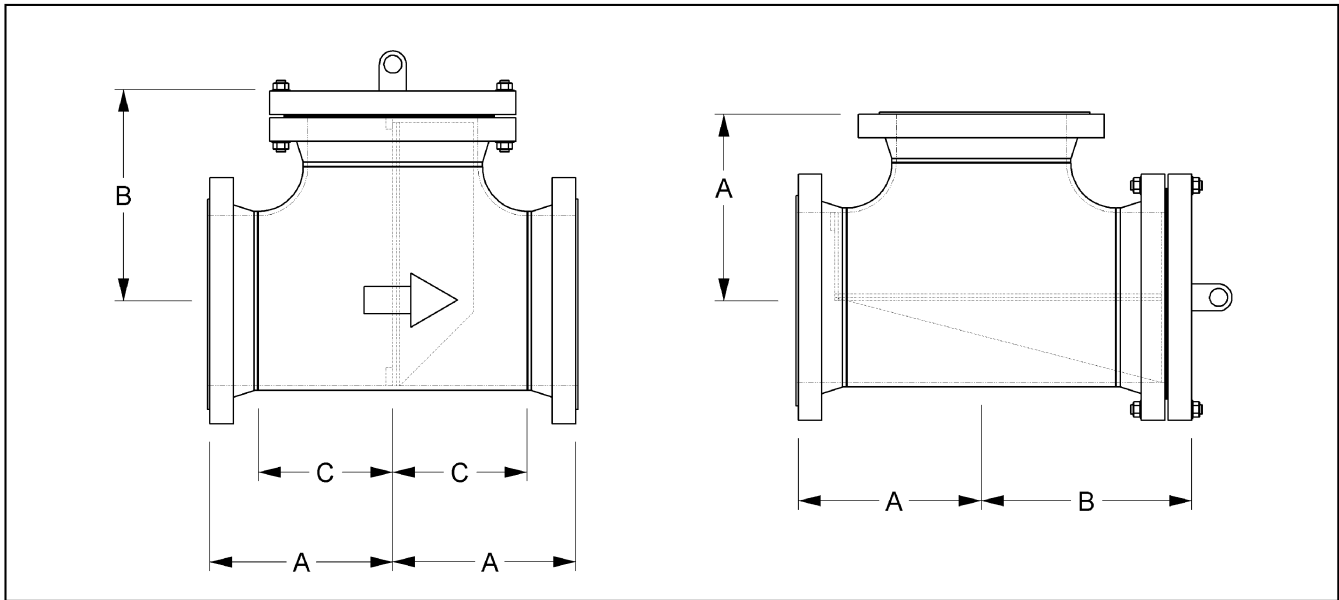


Tee Strainers
Straight and Angled Flow



Standard Feature

- Bolted access cover c/w NAF gasket
- 1/8" Perforated Stainless Steel (304) Basket
- 1/2" NPT Vent
- ANSI B31.4 / B31.8 Design Code

Line Size	ANSI 150#			ANSI 300#			ANSI 600#		
	A	B	C	A	B	C	A	B	C
2	5.125	6	2.5	5.375	6.375	2.5	5.5	6.625	2.5
3	6.25	7.3125	3.375	6.625	7.875	3.375	6.75	8.125	3.375
4	7.25	8.375	4.125	7.625	9	4.125	8.25	9.875	4.125
6	9.25	10.375	5.625	9.625	11.1875	5.625	10.375	12.375	5.625
8	11.125	12.375	7	11.5	13.25	7	12.375	14.6875	7
10	12.625	14	8.5	13.25	15.25	8.5	14.625	17.25	8.5
12	14.625	16	10	15.25	17.375	10	16.25	19	10
14	16.125	17.625	11	16.75	19	11	17.625	20.5	11
16	17.125	18.75	12	17.875	20.25	12	19.125	22.25	12
18	19.125	20.875	13.5	19.875	22.375	13.5	20.875	24.25	13.5
20	20.8125	22.625	15	21.5	24.125	15	22.625	26.25	15
24	23.125	25.125	17	23.75	26.625	17	25.125	29.25	17