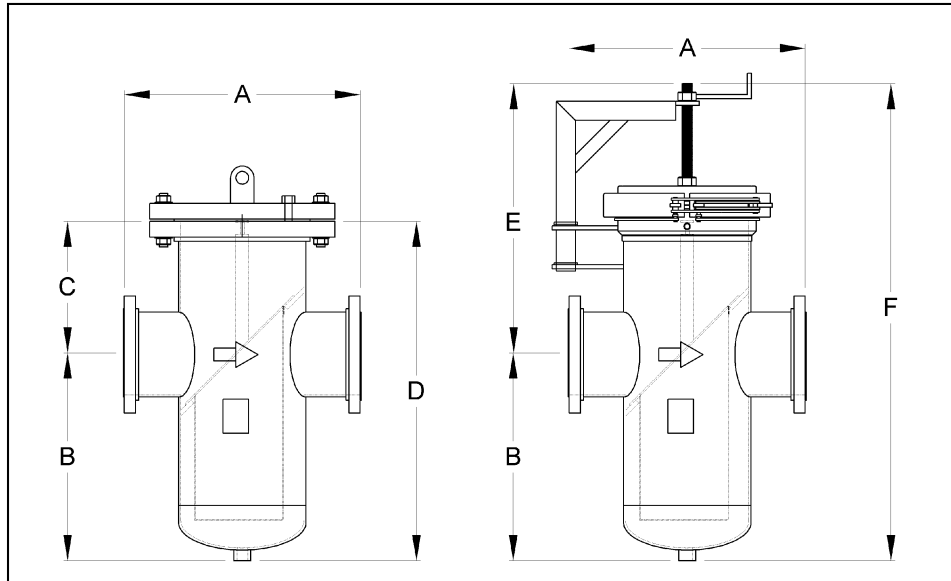


## ANSI 300# RF Single Basket Strainer Bolted and Quick Open Style



### Standard Feature

- Bolted access cover c/w NAF gasket
- Series G closure c/w Viton seal
- 1/8" Perforated Stainless Steel (304) Basket
- 1/2" NPT Vent, NPT Drain

Line Size	Body Dia	A	B	C	D	E	F	Drain NPT	Weight Bolted	Weight QOC
2	4.50	17	8	7	15	n/a	n/a	3/4	90	n/a
3	6.625	19	12	8	20	23	35	3/4	170	210
4	8.825	20	14	9	23	25	39	3/4	270	320
6	10.75	24	18	10	28	26	44	1	445	495
8	12.75	28	21	12	33	29	50	1	660	735
10	14	32	24	14	38	31	55	1	915	1015
10	16	34	24	14	38	32	56	1 1/2	1040	1155
12	16	36	24	16	40	34	58	1 1/2	1210	1335
12	18	38	28	17	45	35	63	1 1/2	1500	1665
14	18	40	29	17	46	35	64	1 1/2	1620	1790
16	20	42	30	18	48	37	67	2	1980	2210
16	24	44	39	20	59	40	79	2	2780	3090
18	24	45	39	20	59	40	79	2	2940	3265
20	24	47	43	24	67	44	87	2	3200	3550
20	30	52	51	30	81	52	103	2	3980	4420
24	30	58	51	30	81	52	103	2	4450	4950