

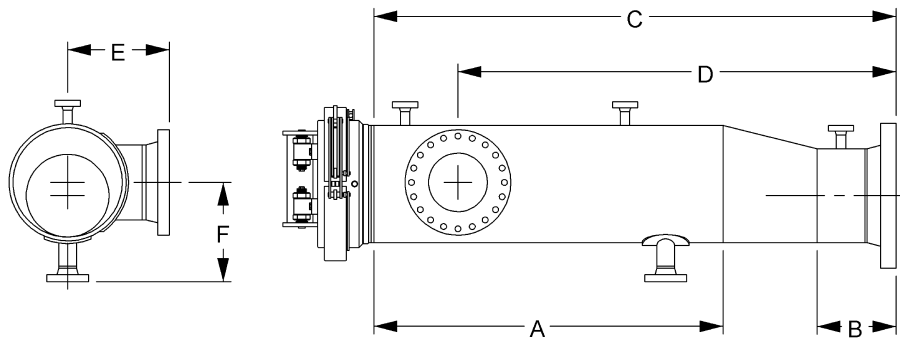
Client Information:

Company _____ Telephone _____
 Contact _____ E-mail _____

Reference information

Reference No. _____ Quotation Number _____
 Project _____
 Tag Number _____ Date _____
 Quantity _____

General Vessel Layout



Vessel Design Parameters		Nozzle Schedule			
Design Code		Nozzle	Duty	Nom Size	ANSI Rating / Face
Vessel Closure		N1	Outlet		
Design Pressure		N2	Closure		
Design Temperature		N3	Kicker		
Min Design Metal Temp		N4	Drain		
Corrosion Allowance		N5	Vent		
		N6	Vent		
		N7	Pig Sig.		
NDE Examination					
RT					
MPI					
UT		Dim.	Description	Dimension	
DP		A	Major Barrel Length		
Shop Hydro test		B	Minor Barrel Length		
		C	Total Length		
Third Party Inspection		D	Outlet to Kicker C/L		
ASME Code		E	C/L to Kicker Face		
Client		F	C/L to Drain Face		

Notes